

ABA ROBUST ACID RESISTANT



- ① **The bolt is manufactured with integrated spacer** – one piece less to take care of
- ② **Band bridge with rolled up edges** – to protect the hose when the tightening force becomes high
- ③ **Hexagonal bolt** – ordinary tools such as a universal spanner can be used for tightening

A strongly dimensioned hose clamp

A big, strong clamp producing a secure and careful grip around powerful hoses. The Robust Acid resistant clamp is used where great tightening forces are needed – for instance large and reinforced hoses within agriculture, irrigation, drainage systems, sludge suction etc. where there is a high demand for durability and a safe functionality in spite of tough handling and severe conditions.

The curve radius of the band bridge, the even transitions between the parts and the band as well as the smooth band underside give a good contact surface against the hose and consequently good sealing.

Advantages at a glance

- Gentle on the hose when the tightening force becomes high
- Withstands hard tightening, repeated mounting and dismounting
- Safe functionality in severe conditions

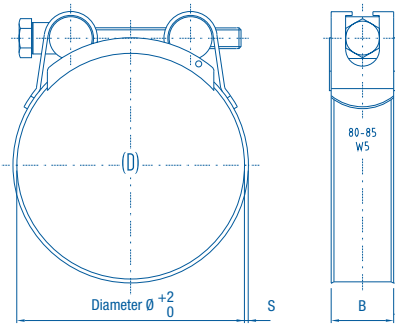
Materials



Typical applications

- For large/reinforced hoses
- Agriculture
- Irrigation
- Drainage systems
- Sludge suction

Dimensions



Specifications

ABA ROBUST ACID RESISTANT							
Width (B mm)	Clamping ranges (D mm)	Clamping ranges (D in.)	S (in)	Hexagonal screw (mm)	S50 Product No.		
18	17-19	11/16-3/4	0.6	M5x35	0569 6013 019		
	20-22	13/16-7/8		M5x35	0569 6013 022		
	23-25	15/16-1		M5x35	0569 6013 025		
	26-28	1-11/8		M5x35	0569 6013 028		
	29-31	11/8-11/4		M5x35	0569 6013 031		
20	32-35	11/4-13/8	1	M6x50	0569 7013 035		
	36-39	17/16-19/16		M6x50	0569 7013 039		
	40-43	19/16-111/16		M6x50	0569 7013 043		
	44-47	13/4-17/8		M6x50	0569 6013 047		
	48-51	17/8-2		M6x50	0569 6013 051		
	52-55	21/16-23/16		M6x50	0569 7013 055		
	56-59	23/16-25/16		M6x55	0569 7013 059		
	60-63	23/8-21/2		M6x55	0569 7013 063		
	25	64-67		21/2-25/8	1.2	M8x70	0569 6014 067
		68-73		211/16-27/8		M8x70	0569 7014 073
74-79		215/16-31/8	M8x70	0569 7014 079			
80-85		31/8-33/8	M8x70	0569 7014 085			
86-91		33/8-39/16	M8x70	0569 7014 091			
92-97		35/8-313/16	M8x70	0569 7014 097			
98-103		37/8-41/16	M8x70	0569 7014 103			
104-112		41/16-47/16	M8x80	0569 6014 112			
113-121		47/16-43/4	M8x80	0569 7014 113			
122-130		413/16-51/8	M8x80	0569 7014 130			
131-139		53/16-51/2	M8x80	0569 6014 139			
140-148		51/2-513/16	M8x80	0569 7014 148			
149-161		57/8-65/16	1.5	M8x80		0569 7014 161	
162-174		63/8-67/8		M8x80		0569 6014 174	
175-187		67/8-73/8		M8x80		0569 6014 187	
188-200	73/8-77/8	M8x80		0569 6014 200			
201-213	715/16-83/8	M8x80		0569 6014 213			
214-226	87/16-87/8	M8x80		0569 6014 226			
227-239	815/16-97/16	M8x80		0569 6014 239			
240-252	97/16-915/16	M8x80	0569 6014 252				