

BREEZE T-BOLT



- ① Locking or free-spinning nut.
- ② Bolt available in carbon or stainless.
- ③ Floating bridge for 360° loading.
- ④ S40 stainless steel band with safety edge.

Engineered for long-term durability

A clamp that is performance engineered for long-term durability and manufactured to the highest quality standards. Designed for a wide variety of automotive, industrial and marine applications.

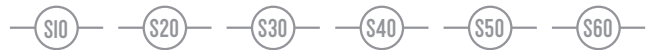
Advantages at a glance

- High-strength clamp design
- Available with Spring design for constant tension

Typical applications

- Commercial vehicles
- Passenger vehicles
- Industrial
- Infrastructure

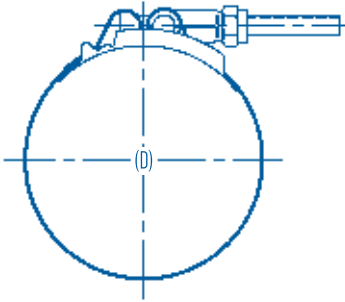
Materials



×*

* Classified by corrosion resistance. Band material S40/Screw material S10. According to DIN norm it is comparable to W2.

Dimensions



Specifications

BREEZE T-BOLT			
Width (mm)	Clamping ranges (D mm)	Clamping ranges* (D in.)	S40 Product No.
19	44.5-50.8	1 3/4-2	0363 0021 048
	47.6-55.6	1 7/8-2 3/16	0363 0021 052
	50.8-58.7	2-2 5/16	0363 0021 055
	54-61.9	2 1/8-2 7/16	0363 0021 058
	57.2-65.1	2 1/4-2 9/16	0363 0021 061
	60.3-68.3	2 3/8-2 11/16	0363 0021 064
	63.5-71.4	2 1/2-2 13/16	0363 0021 068
	66.7-74.6	2 5/8-2 15/16	0363 0021 071
	69.9-77.8	2 3/4-3 1/16	0363 0021 074
	73-81	2 7/8-3 3/16	0363 0021 077
	76.2-84.1	3-3 5/16	0363 0021 080
	79.4-87.3	3 1/8-3 7/16	0363 0021 084
	82.6-90.5	3 1/4-3 9/16	0363 0021 087
	85.7-93.7	3 3/8-3 11/16	0363 0021 090
	88.9-96.8	3 1/2-3 13/16	0363 0021 093
	92.1-100	3 5/8-3 15/16	0363 0021 096
	95.3-103.2	3 3/4-4 1/16	0363 0021 099
	101.6-109.5	4-4 5/16	0363 0021 106
	103.2-111.1	4 1/16-4 3/8	0363 0021 107
	108-115.9	4 1/4-4 9/16	0363 0021 112
114.3-122.2	4 1/2-4 13/16	0363 0021 118	
127-134.9	5-5 1/4	0363 0021 131	
133.4-141.3	5 1/4-5 9/16	0363 0021 137	
139.7-147.6	5 1/2-5 13/16	0363 0021 144	
146.1-154	5 3/4-6 1/16	0363 0021 150	
152.4-160.3	6-6 5/16	0363 0021 156	
158.8-166.7	6 1/4-6 9/16	0363 0021 163	
165.1-173	6 1/2-6 13/16	0363 0021 169	
171.5-179.4	6 3/4-7 1/16	0363 0021 175	
177.8-185.7	7-7 5/16	0363 0021 182	
184.2-192.1	7 1/4-7 9/16	0363 0021 188	
190.5-198.4	7 1/2-7 13/16	0363 0021 195	
196.9-204.8	7 3/4-8 1/16	0363 0021 201	
215.9-223.8	8 1/2-8 13/16	0363 0021 220	

Other diameters available on request