

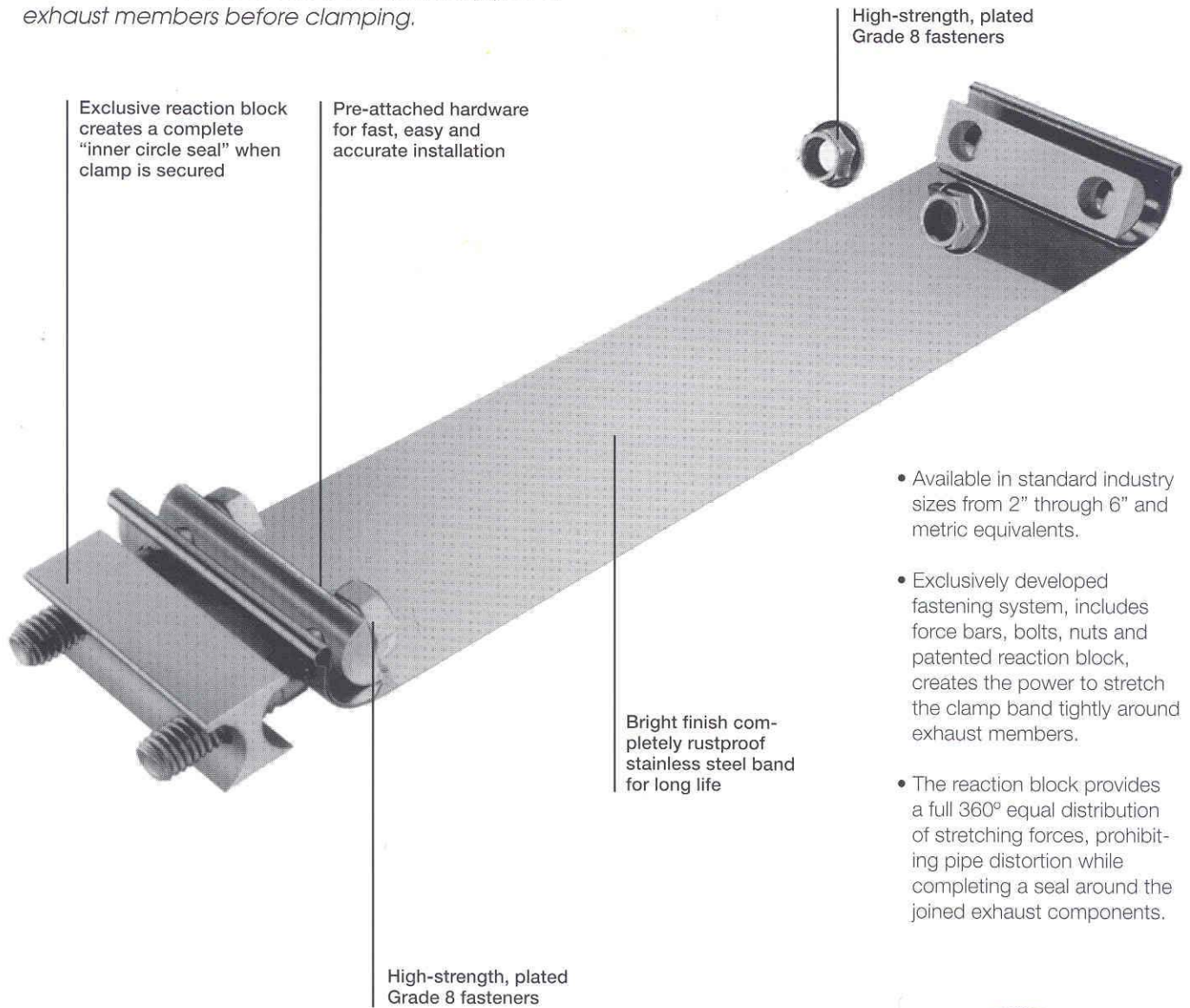


EasySeal flatband exhaust clamp

with pre-attached hardware

The simple, effective way to connect exhaust system components. Replaces U-bolts and clamps.

Patented design makes for fast, easy and accurate installation - there's no need to separate pipes or exhaust members before clamping.

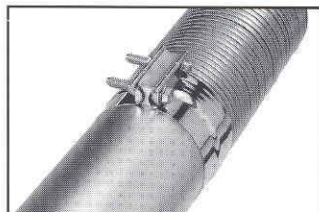


- Available in standard industry sizes from 2" through 6" and metric equivalents.
- Exclusively developed fastening system, includes force bars, bolts, nuts and patented reaction block, creates the power to stretch the clamp band tightly around exhaust members.
- The reaction block provides a full 360° equal distribution of stretching forces, prohibiting pipe distortion while completing a seal around the joined exhaust components.

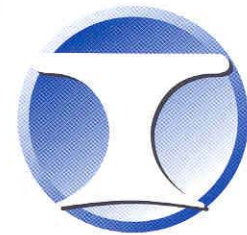
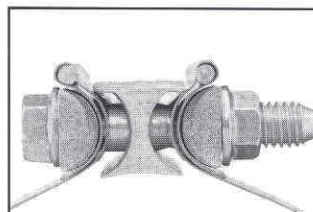
Longer bolts and preattached hardware make wraparound installation easy and accurate.



Finished EasySeal installations out perform other band clamps in clamping strength and seal.



The Reaction Block transfers bolt torque into clamp strength and an assured seal.



Torca Products, Inc.

2430 East Walton Boulevard
Auburn Hills, MI 48326
Phone: (248) 373-4300
Fax: (248) 373-3068