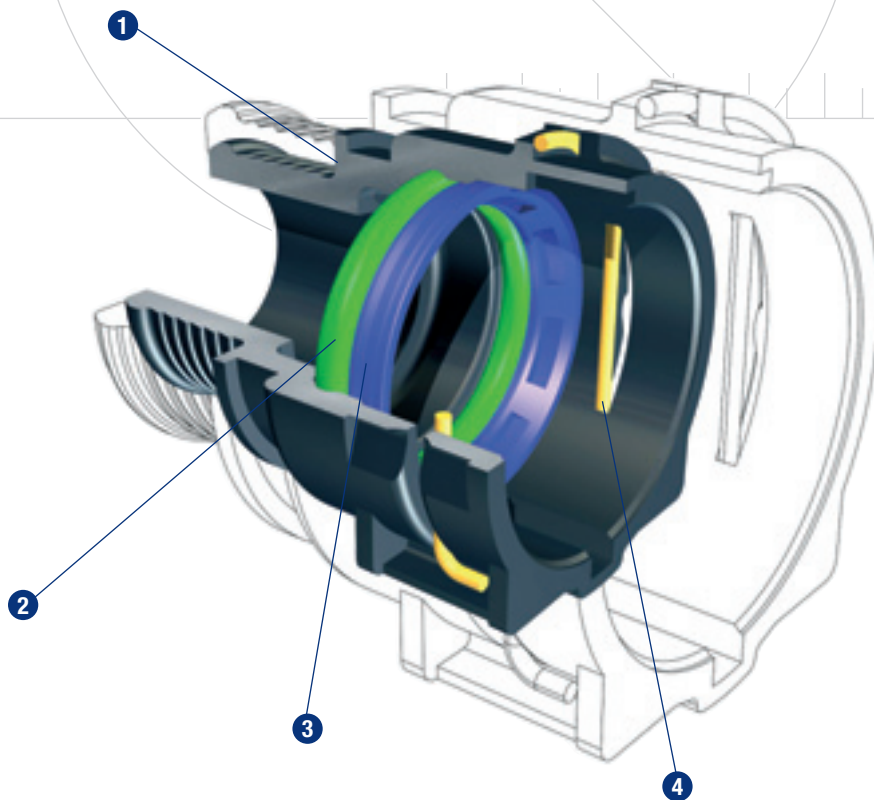


# NORMAQUICK® – Quick Connectors

## NORMAQUICK® PS3 Quick Connectors

NORMAQUICK® PS3 “Push & Seal” plastic quick connectors are an ideal means for the secure connection of cooling water and heating hoses as well as charged air systems.

### Short description of technical features



1 Spigot

2 O-ring

3 Retaining ring

4 Retainer (spring)

### Standard materials

NORMAQUICK® PS3 quick connectors are made from recyclable materials. For our standard versions we use Polyamide 6.6 with 30 % glass fiber content.

The standard material for the O-rings consists of peroxide-cured EPDM which is resistant to hot water. For NORMAQUICK® PS3 connectors that are likely to be used in direct contact with coolants we recommend PA 6.6 with 30 % glass fiber content that has been stabilized against heat and hydrolysis.

In case of special applications (e.g. charged air ducts) NORMAQUICK® PS3 connectors can be made from other technical thermoplastic materials with different filler types and contents. Please note, however that special types can only be made when the required minimum quantity is ordered.

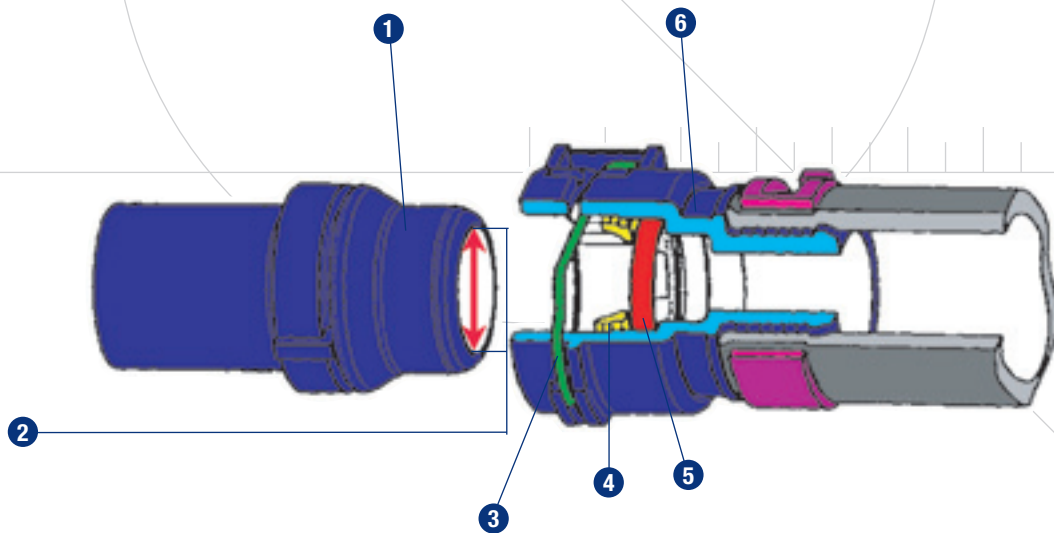
# NORMAQUICK® – Quick Connectors

## VDA-Connection spigot

Spigot to VDA standard

Please note that all NORMAQUICK® PS3 connectors are delivered without spigot.

But we will be pleased to offer suitable spigots on request.



1 Connection spigot

2 Diameter of bore = Nominal Width (NW)

3 Retainer (spring)

4 Retaining ring

5 O-ring

6 Connector

## Technical features

Medium/Fluid	Operating Pressure	Operating Temperature
Cooling water	Approx. 1.5 bar excess pressure	Engine compartment: -40 °C to +135 °C Short time up to +150 °C (approx. 30 min.)

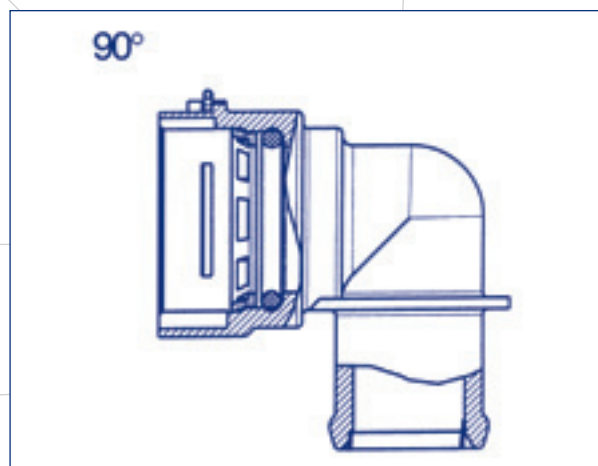
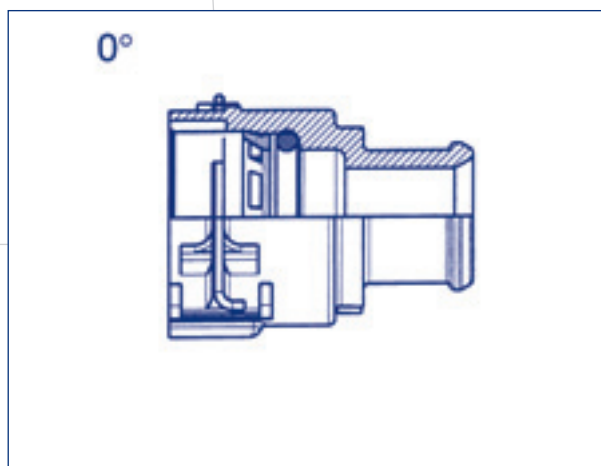
### The advantages at a glance

- Snap assembly without tool = time and cost reduction
- Robot assembly possible = automated processes
- Compact structural dimensions = to be used in extremely narrow spaces
- Integrated seal = optimal tightness

# NORMAQUICK® – Quick Connectors

## Survey of sizes NORMAQUICK® PS 3

Two types of NORMAQUICK® PS3 (0° and 90°) are available as standard versions.



Nominal diameters in mm (inside diameter of the bore)	0 °	90 °
8	X	–
12	X	X
16	X	X
20	X	X
26	X	–
32	X	X
40	X	–
50	X	–

### Enquiries/ordering:

When making enquiries or placing orders please state as follows:

		1. Type	2. Nominal width	3. Variant
Example	NORMAQUICK	PS3	16	0 °

During the last couple of years we have built up a selection of special/customised connector types. The geometries can be substantially modified to customer requirements and it is possible to integrate additional functional elements, e. g. thermo sensors. We would be pleased to answer your questions.

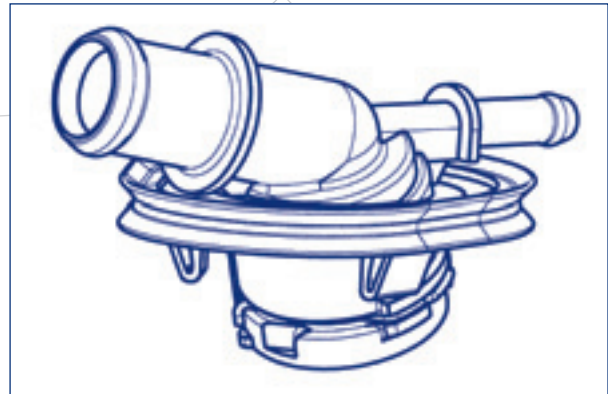
# NORMAQUICK® – Quick Connectors

## Applications

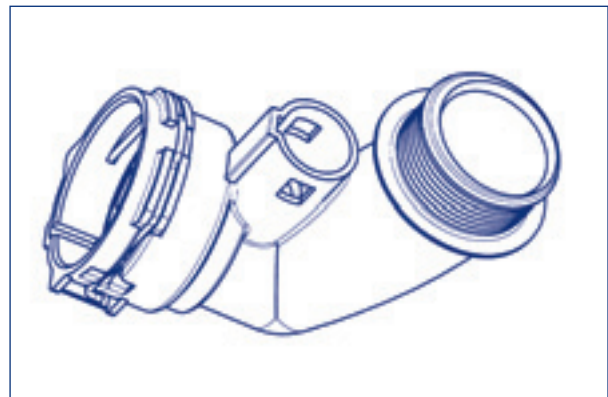
- Cooling water lines
- Heating lines
- Charged air connections

The following drawings show three practical examples:

NORMAQUICK® PS3 with integrated junction piece, seal and branch



Flow-optimised NORMAQUICK® PS3 with integrated receptacle for thermo sensor



NORMAQUICK® PS3 with integrated junction piece

