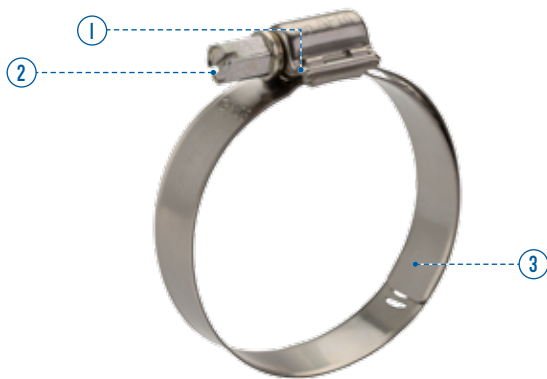


# BREEZE AERO BG/BGV<sup>®</sup>



- ① **High-strength Quadra-Lock housing construction**
- ② **8mm hexagonal slotted screw**
- ③ **Lined band protects hose from damage**

## The strong clamp for every situation

The Breeze Aero BG is the clamp of choice for applications that require a bit more power than the standard. It was designed to seal high pressure connections transporting air, water or hydraulic medias. The BGV offers an innovative quick-latch solution for a

much faster mounting of the clamp. An integral extension of the band as an inner liner protects soft-surface hose (silicone and others) from damage caused by extrusion or shearing through the band slots.

## Advantages at a glance

- High performance
- Quick-latch closure available
- Inner liner which protects all types of hoses from damage
- SAE Standard J1508 Type F

## Materials



\*Classified by corrosion resistance. Band material S40/Screw material S10. According to DIN norm it is comparable to W2

## Typical applications

- Industrial
- Passenger vehicle
- Commercial vehicle
- Air and water lines
- Hydraulic lines

## Type of bands housing and screw

### Breeze Aero BG

- Hexagonal slotted screw permits use of various installation tools.

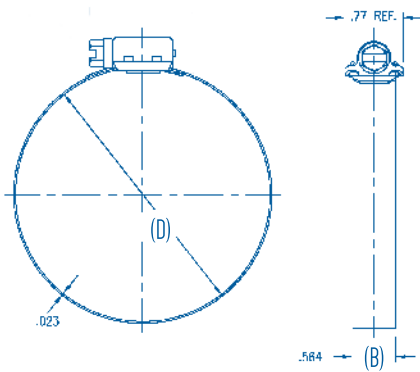


### Breeze Aero BGV

The quick-latch closing mechanism enables a much faster installation by opening the connection between screw and band.



## Dimensions



## Specifications

BREEZE AERO BG			
Width (B mm)	Clamping ranges (D mm)	Clamping ranges (D in.)	S10 Product No. Carbon screw
14.3	12-22	1/2-7/8	0362 7000 017
	16-27	5/8-1 1/16	0362 7000 022
	20-32	3/4-1 1/4	0362 7000 026
	25-40	1-1 9/16	0362 7000 033
	30-45	1 3/16-1 3/4	0362 7000 038
	35-50	1 3/8-2	0362 7000 043
	40-60	1 9/16-2 3/8	0362 7000 050
	50-70	2-2 3/4	0362 7000 060
	60-80	2 3/8-3 1/8	0362 7000 070
	70-90	2 3/4-3 9/16	0362 7000 080
	80-100	3 1/8-4	0362 7000 090
	90-110	3 1/2-4 3/8	0362 7000 100
	100-120	4-4 3/4	0362 7000 110
	110-130	4 3/8-5 1/8	0362 7000 120
	120-140	4 3/4-5 1/2	0362 7000 130
	130-150	5 1/8-5 7/8	0362 7000 140
140-160	5 1/2-6 1/4	0362 6000 150	

BREEZE AERO BGV				
Width (B mm)	Clamping ranges (D mm)	Clamping ranges (D in.)	S10 Product No. Carbon screw	S40 Product No. 304 Stainless screw
14.3	25-40	1-1 9/16	0362 7001 033	0362 7010 033
	30-45	1 3/16-1 3/4	0362 7001 038	0362 7010 038
	35-50	1 3/8-2	0362 7001 043	0362 7010 043
	40-60	1 9/16-2 3/8	0362 7001 050	0362 7010 050
	50-70	2-2 3/4	0362 7001 060	0362 7010 060
	60-80	2 3/8-3 1/8	0362 7001 070	0362 7010 070
	70-90	2 3/4-3 9/16	0362 7001 080	0362 7010 080
	80-100	3 1/8-4	0362 7001 090	0362 7010 090
	90-110	3 1/2-4 3/8	0362 7001 100	0362 7010 100
	100-120	4-4 3/4	0362 7001 110	0362 7010 110
	110-130	4 3/8-5 1/8	0362 7001 120	0362 7010 120
	120-140	4 3/4-5 1/2	0362 7001 130	0362 7010 130
	130-150	5 1/8-5 7/8	0362 7001 140	0362 7010 140
	140-160	5 1/2-6 1/4	0362 6001 150	0362 6010 150