

# BREEZE POWER-SEAL



- ① **Quadra-Lock Housing** provides strength and stability
- ② **Conical Arched Perforated Slots:** More steel between perforations for added strength and smoother worm-drive engagement
- ③ **12,7mm S40 stainless band**

## General purpose clamp

General purpose automotive and industrial clamps. High strength Quadra-Lock housing construction. Exceeds all SAE requirements. Use for all standard clamp applications.

## Advantages at a glance

- Per SAE standard J1508 Type "F"

## Typical applications

- Commercial vehicles
- Passenger vehicles
- Industrial
- Infrastructure

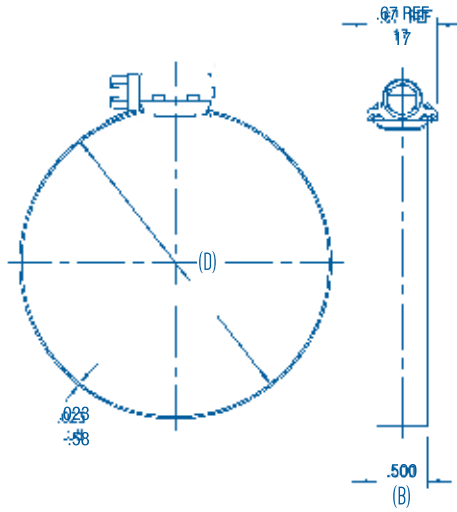
## Materials

S10	S20	S30 (W3)	S40 (W4)	S50 (W5)	S60
×		×	×	×	

\* Classified by corrosion resistance. Band material S40/Screw material S10. According to DIN norm it is comparable to W2.

\*\* Classified by corrosion resistance. Band material S40/Screw material S30.

## Dimensions



## Specifications

POWER SEAL							
Width (B mm)	Clamping ranges (D mm)	Clamping ranges (D in.)	Hex Screw (mm)	S10 Product No.	S30 Product No.	S40 Product No.	S50 Product No.
12.7	11-20	7/16-13/16	7.9	Plated Hex Screw	410 Stainless Steel Screw	304 Stainless Steel Screw	All 316 Stainless Steel
	13-23	1/2-15/16		0361 0114 016	0361 0116 016	0361 0117 016	0361 0115 016
	14-27	9/16-1 1/16		0361 0114 018	0361 0116 018	0361 0117 018	0361 0115 018
	17-32	11/16-1 1/4		0361 0114 021	0361 0116 021	0361 0117 021	0361 0115 021
	21-38	13/16-1 1/2		0361 0114 025	0361 0116 025	0361 0117 025	0361 0115 025
	21-44	13/16-1 3/4		0361 0114 030	0361 0116 030	0361 0117 030	0361 0115 030
	27-51	1 1/16-2		0361 0114 033	0361 0116 033	0361 0117 033	0361 0115 033
	33-57	1 5/16-2 1/4		0361 0114 039	0361 0116 039	0361 0117 039	0361 0115 039
	40-64	1 9/16-2 1/2		0361 0114 045	0361 0116 045	0361 0117 045	0361 0115 045
	46-70	1 13/16-2 3/4		0361 0114 052	0361 0116 052	0361 0117 052	0361 0115 052
	52-76	2 1/16-3		0361 0114 058	0361 0116 053	0361 0117 058	0361 0115 058
	59-83	2 5/16-3 1/4		0361 0114 053	0361 0116 058	0361 0117 064	0361 0115 053
	65-89	2 9/16-3 1/2		0361 0114 059	0361 0116 059	0361 0117 071	0361 0115 059
	71-95	2 13/16-3 3/4		0361 0114 065	0361 0116 065	0361 0117 077	0361 0115 065
	78-102	3 1/16-4		0361 0114 072	0361 0116 072	0361 0117 083	0361 0115 072
	84-108	3 5/16-4 1/4		0361 0114 083	0361 0116 083	0361 0117 090	0361 0115 083
	91-114	3 9/16-4 1/2		0361 0114 084	0361 0116 084	0361 0117 096	0361 0115 084
	48-127	1 7/8-5		0361 0114 091	0361 0116 088	0361 1097 102	0361 0115 091
	64-140	2 1/2-5 1/2		0361 0114 088	0361 0116 091	0361 0117 088	0361 0115 088
	79-152	3 1/8-6		0361 0114 102	0361 0116 102	0361 1093 127	0361 0115 102
	92-165	3 5/8-6 1/2		0361 0114 116	0361 0116 116	0361 0117 116	0361 0115 116
	105-178	4 1/8-7		0361 0114 129	0361 0116 129	0361 1090 152	0361 0115 129
				0361 0114 141	0361 0116 142	0361 0117 142	0361 0115 142