

# ABA POWER CLAMP



- ① **Single screw version**
- ② **Double screw version**
- ③ **Heavy-Duty** double band clamp.
- ④ **Full trunnions**
- ⑤ **Welding spots**

## Heavy-duty clamps

A very strong heavy-duty double band clamp. Also available in a double screw version for extra clamping force. Both “single” and “double” are available in standard version and in stainless steel 316/S50.

## Advantages at a glance

- High break torque
- Excellent tensile force

## Typical applications

- Agriculture
- Drainage systems
- Irrigation
- Sludge suction

## Materials

S10	S20	S30	S40	S50	S60
(W1)				(W5)	
×				×	

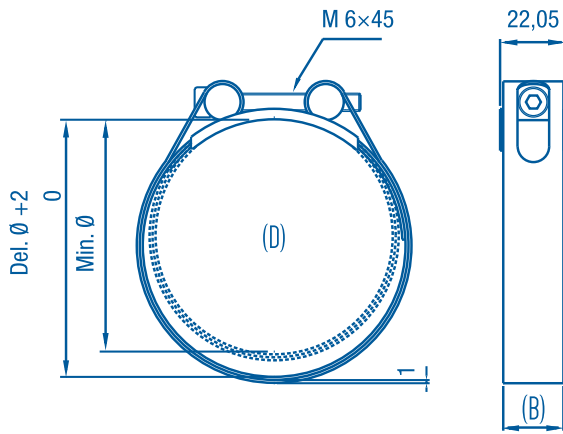
### Single screw version

- Power Clamp – S10(W1): Electro zink plated
- Power Clamp – S50(W5): All parts are made in SS2343/AISI 316 stainless steel.

### Double screw version for extra clamping force.

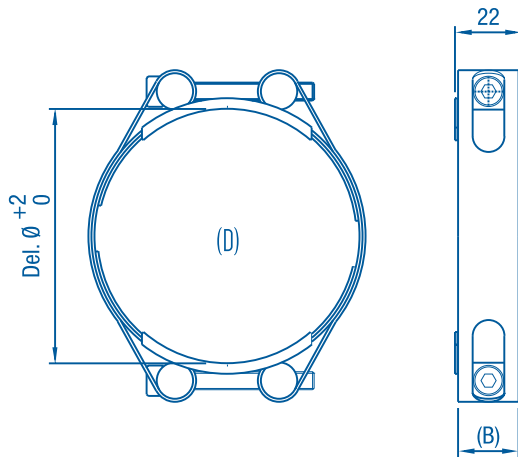
- Power Clamp Double – S10(W1): Electro zink plated
- Power Clamp Double – S50(W5): All parts are made in SS2343/AISI 316 stainless steel.

## Dimensions



## Specifications

ABA POWER CLAMP SINGLE				
Width	Clamping ranges	Clamping ranges	S10	S50
(B mm)	(D mm)	(D in.)	Product No.	Product No.
20	34-40	1 5/16-1 9/16	0569 7002 040	0569 6001 040
	39-45	1 9/16-1 3/4	0569 6002 045	0569 0001 045
	44-50	1 3/4-2	0569 6002 050	0569 0001 050
	49-55	1 15/16-2 3/16	0569 7002 055	0569 6001 055
	54-60	2 1/8-2 3/8	0569 7002 060	0569 6001 060
	59-65	2 5/16-2 9/16	0569 7002 065	0569 600 065
	64-70	2 1/2-2 3/4	0569 7002 070	0569 6001 070
	69-75	2 3/4-2 15/16	0569 7002 075	0569 6001 075
	74-80	2 15/16-3 1/8	0569 6002 080	0569 0001 080
	79-85	3 1/8-3 3/8	0569 7002 085	0569 6001 085
	84-90	3 5/16-3 9/16	0569 7002 090	0569 6001 090
	89-95	3 1/2-3 3/4	0569 7002 095	0569 6001 095
	94-100	3 11/16-3 15/16	0569 6002 100	0569 0001 100
	99-105	3 7/8-4 1/8	0569 7002 105	0569 6001 105
	104-110	4 1/16-4 5/16	0569 7002 110	0569 6001 110
	109-115	4 5/16-4 1/2	0569 7002 115	0569 6001 115
	114-120	4 1/2-4 3/4	0569 6002 120	0569 0001 120
	119-125	4 11/16-4 5/16	0569 7002 125	0569 6001 125
	124-130	4 7/8-5 1/8	0569 6002 130	0569 0001 130
	129-135	5 1/16-5 5/16	0569 7002 135	0569 6001 135
134-140	5 1/4-5 1/2	0569 7002 140	0569 6001 140	



ABA POWER CLAMP DOUBLE				
Width	Clamping ranges	Clamping ranges	S10	S50
(B mm)	(D mm)	(D in.)	Product No.	Product No.
20	32-40	1 1/4-1 9/16	0569 7003 040	0569 6004 040
	40-50	1 9/16-2	0569 6003 050	0569 6004 050
	45-55	1 3/4-2 3/16	0569 7003 055	0569 6004 055
	50-60	2-2 3/8	0569 7003 060	0569 6004 060
	55-65	2 3/16-2 9/16	0569 7003 065	0569 6004 065
	60-70	2 3/8-2 3/4	0569 7003 070	0569 6004 070
	65-75	2 9/16-2 15/16	0569 7003 075	0569 6004 075
	70-80	2 3/4-3 1/8	0569 7003 080	0569 6004 080
	75-85	2 15/16-3 3/8	0569 7003 085	0569 6004 085
	80-90	3 1/8-3 9/16	0569 6003 090	0569 6004 090
	85-95	3 3/8-3 3/4	0569 7003 095	0569 6004 095
	90-100	3 9/16-3 15/16	0569 7003 100	0569 6004 100
	95-105	3 3/4-4 1/8	0569 6003 105	0569 6004 105
	100-110	3 15/16-4 5/16	0569 7003 110	0569 6004 110
	105-115	4 1/8-4 1/2	0569 6003 115	0569 7004 115
	110-120	4 5/16-4 3/4	0569 6003 120	0569 6004 120
	115-125	4 1/2-4 15/16	0569 6003 125	0569 6004 125
	120-130	4 3/4-5 1/8	0569 7003 130	0569 6004 130
	125-135	4 15/16-5 5/16	0569 7003 135	0569 6004 135
	130-140	5 1/8-5 1/2	0569 7003 140	0569 6004 140
	135-145	5 5/16-5 11/16	0569 7003 145	0569 6004 145
	140-150	5 1/2-5 15/16	0569 6003 150	0569 6004 150
	145-155	5 11/16-6 1/8	0569 6003 155	0569 6004 155
	150-160	5 15/16-6 5/16	0569 6003 160	0569 6004 160
	155-165	6 1/8-6 1/2	0569 6003 165	0569 6004 165
	160-170	6 5/16-6 11/16	0569 6003 170	0569 6004 170
	165-175	6 1/2-6 7/8	0569 6003 175	0569 6004 175