

# BREEZE MINI



- ① **One Piece Housing** provides strength and stability
- ② **Conical Arched Perforated Slots:** More steel between perforations for added strength and smoother worm-drive engagement

## A lightweight and streamlined clamp

The streamlined configuration allows for installation in tight fitting or difficult to reach areas. This clamp creates high sealing pressure with only 1,2 to 1,7 nm of installation torque.

## Advantages at a glance

- Installation in tight fitting or difficult to reach areas
- High sealing pressure with low torque
- Used in small diameter applications

## Typical applications

- Commercial vehicles
- Passenger vehicles
- Industrial
- Infrastructure
- Residential
- Air & fuel lines

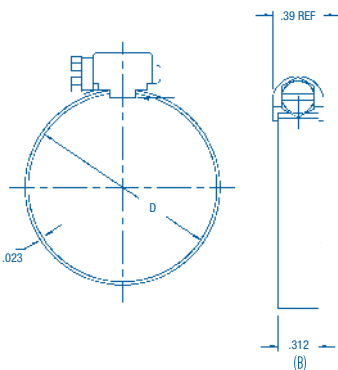
## Materials



\* Classified by corrosion resistance. Band material S40/Screw material S10. According to DIN norm it is comparable to W2.

\*\* Classified by corrosion resistance. Band material S40/Screw material S30.

## Dimensions



## Specifications

BREEZE MINI						
Width (B mm)	Clamping ranges (D mm)	Clamping ranges (D in.)	Hex Screw (mm)	S10 Product No. Carbon Screw	S30 Product No. 410 Stainless Screw	S40 Product No. 304 Stainless Screw
7.9	5.6-16	1/4-5/8	6.4	0360 0102 011	0360 0103 011	0360 0104 011
	11-20	7/16-13/16		0360 0102 016	0360 0103 016	0360 0104 016
	13-23	1/2-15/16		0360 0102 018	0360 0103 018	0360 0104 018
	14-27	9/16-11/16		0360 0102 021	0360 0103 021	0360 0104 021
	17-32	11/16-1 1/4		0360 0102 025	0360 0103 025	0360 0104 025
	24-38	15/16-1 1/2		0360 0102 031	0360 0103 031	0360 0104 031
	30-44	1 3/16-1 3/4		0360 0102 037	0360 0103 037	0360 0104 037
	37-51	1 7/16-2		0360 0102 044	0360 0103 044	0360 0104 044
	43-57	1 11/16-2 1/4		0360 0102 050	0360 0103 050	0360 0104 050
	49-64	1 15/16-2 1/2		0360 0102 057	0360 0103 057	0360 0104 057