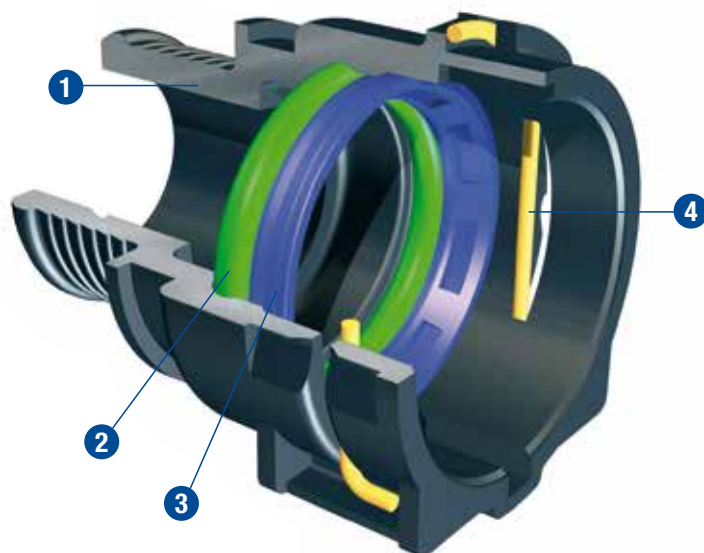


## VDA QUICK CONNECTORS

### PS3 – QUICK CONNECTORS

PS3 “Push & Seal” plastic quick connectors are an ideal means for the secure connection of coolant and heater hoses as well as charged air systems.



## *The advantages at a glance*

- Time and cost reduction
- Automated processes
- To be used in extremely narrow spaces
- Optimal tightness
- Locator/anti rotation tab feature

- 1 Housing
- 2 O-ring
- 3 Retaining ring
- 4 Retainer (spring)



### Applications

- Cooling water lines
- Heating lines
- Charged air connections

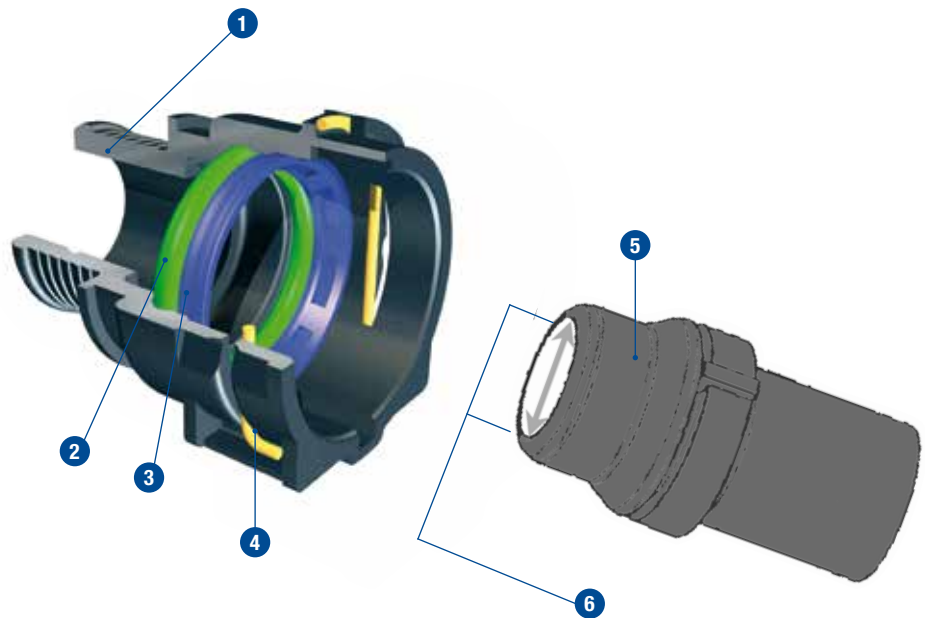
## PS3

### VDA-Connecting spigot

Please note that all PS3 connectors are delivered without spigot.

We will be pleased to offer suitable spigots for line to line connection on request.

- 1 Connector
- 2 O-ring
- 3 Retaining ring
- 4 Retainer (spring)
- 5 Connection spigot
- 6 Diameter of bore = Nominal Width (NW)



### Standard materials

PS3 quick connectors are made from recyclable materials. For our standard versions we use Polyamide 6.6 with 30% glass fiber content.

The standard material for the O-rings consists of peroxide-cured EPDM which is resistant to coolant. For PS3 connectors that are likely to be used in direct contact with coolants we recommend standard PA 6.6 with 30% glass fiber material which is compounded for heat and hydrolysis.

In case of special applications (e.g. charged air ducts) PS3 connectors can be made from other technical thermoplastic materials with different filler types and contents. Please note, however that special types can only be made when the required minimum quantity is ordered.

## VDA QUICK CONNECTORS

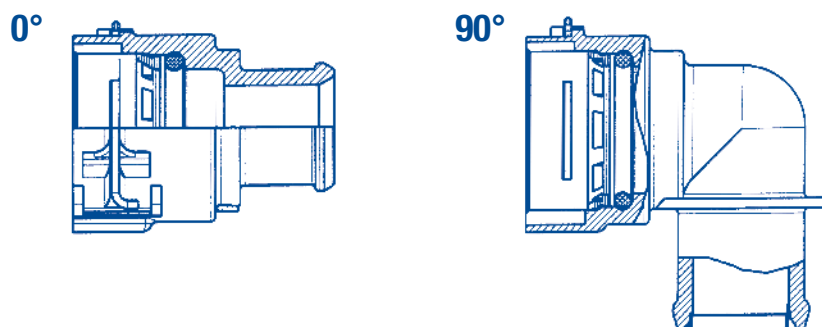
### PS3

#### Technical features

Medium/Fluid	Operating Pressure	Operating Temperature
Coolant	Approximately 0-2 bar excess pressure. Can be tested for each application separately.	Engine compartment: -40°C to +135°C Short time up to +150°C (approx. 30 min.)

#### Summary of sizes

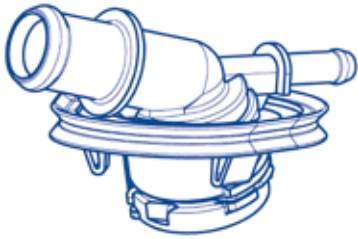
Two types of PS3 (0° and 90°) are available as standard versions.



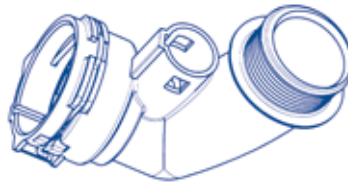
Nominal diameters in mm (inside diameter of the bore)	0°	90°
8	X	X
12	X	X
16	X	X
20	X	X
26	X	X
32	X	X
50	X	-

## PS3

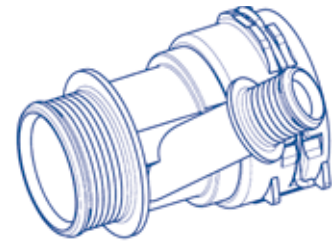
### Examples



PS3 with integrated junction piece, seal and branch



Flow-optimized PS3 with integrated receptacle for thermo sensor



PS3 with integrated junction piece

### Enquiries/ordering

When making enquiries or placing orders please state as follows:

	1. Type	2. Nominal width	3. Variant
Example	PS3	16	0°

During the last couple of years we have built up a selection of special/customized connector types. The geometries can be substantially modified to customer requirements and it is possible to integrate additional functional elements, e. g. thermo sensors. We would be pleased to answer your questions.