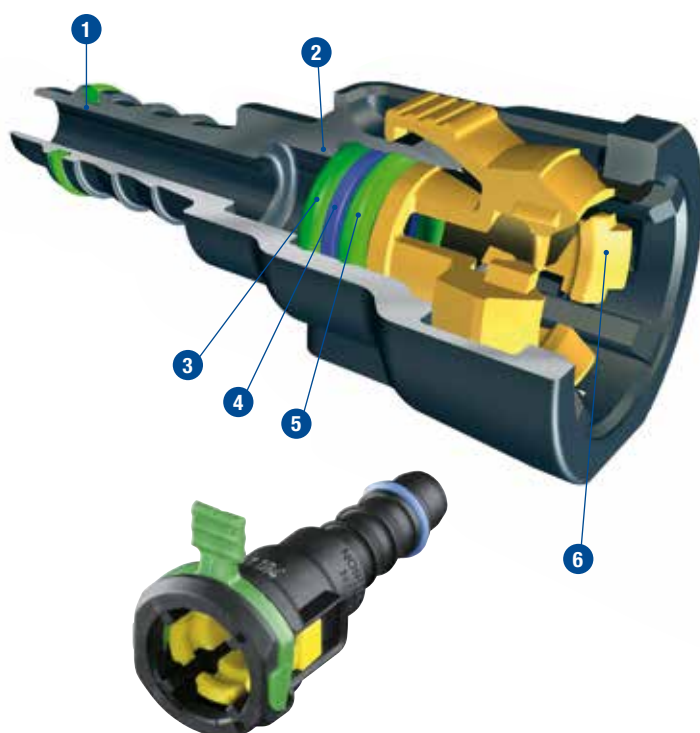


SAE QUICK CONNECTORS

S – SAE J2044 QUICK CONNECTORS

S plastic quick connectors are designed to connect media-carrying lines on automobiles and have been developed for fuel system applications. The product is characterized by its “click” sound as well as its quick and safe connection.



The advantages at a glance

- Fast assembly without tool
- Robot assembly possible
- Compact building method
- Integrated seal
- Closing cone principle

- 1 **Firtree plus O-ring (optional)**
- 2 **Housing**
- 3 **Primary O-ring**
- 4 **Spacer**
- 5 **Secondary O-ring**
- 6 **Retainer (spring)**

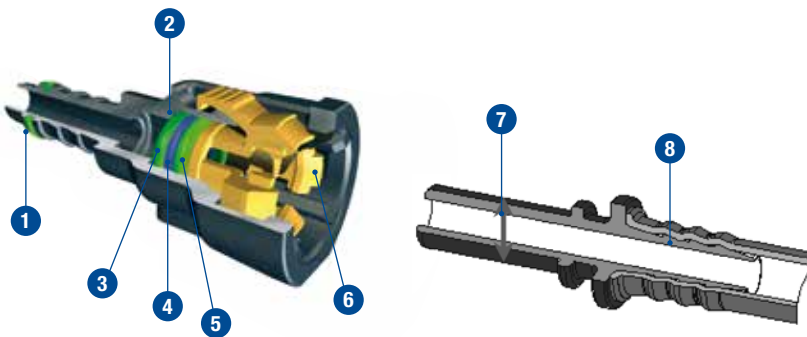
Applications

- Fuel lines
 - Feed and return lines
 - Tank breathing
- Ventilation lines
- Oil cooler lines
- Vacuum control lines

S

Connecting spigot

To NORMA Group's standard (Production drawings will be made available on request) S connectors can be used on both plastic and metal spigots. Please note that all S connectors are delivered without spigot. However, we will be pleased to offer suitable spigots on request.



- 1 Firtree plus O-ring (optional)**
- 2 Housing**
- 3 Primary O-ring**
- 4 Spacer**
- 5 Secondary O-ring**
- 6 Retainer (spring)**
- 7 Diameter of Connecting spigot = Nominal Width (NW)**
- 8 Adapter**

S connectors are made from recyclable materials featuring extremely low permeation values. Our standard versions are made from Polyamide 6 or Polyamide 12 with 20–50% glass fiber content. The O-rings are made of FPM and FVMQ as standard equipment.

Insiders' Tip

The perfectly matched system is achieved when combining S quick connectors and our fluid systems.

Technical features

Medium/Fluid	Operating Pressure	Operating Temperature
Fuel	Approx. 10 bar excess pressure	Engine compartment: –40°C up to +135°C Short time up to +150°C (approx. 30 min.)

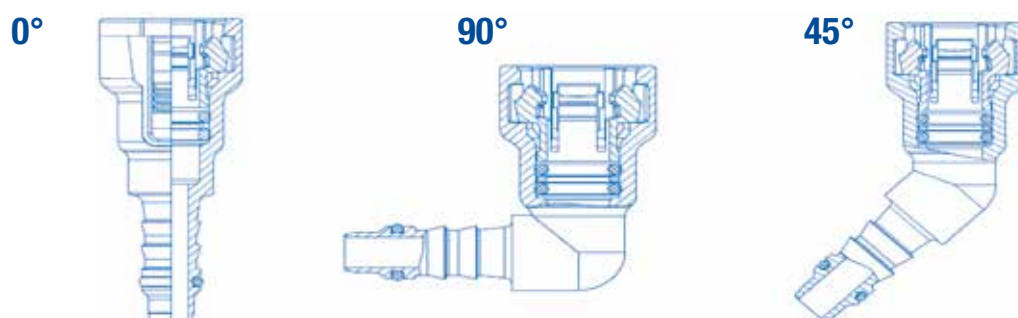
Meeting the requirements of SAE J2044

SAE QUICK CONNECTORS

S

Summary of sizes

Types of S (0° and 90°) are available as standard versions (special versions like 45° or others upon request).



Nominal size	Outside diameter spigot (o-ring sealing diameter of spigot)	Version 0°	Version 90°	Version 45°
1/4"	6.3 mm	X	X	–
5/16"	7.89 mm	X	X	X
8 mm	8.00 mm	X	X	–
3/8"	9.49 mm	X	X	X
10 mm	9.89 mm	X	X	X
1/2"	12.61 mm	X	X	X
14 mm	14.24 mm	X	X	X
5/8"	15.82 mm	X	X	X

Materials

S connectors are made from recyclable materials featuring extremely low permeation values. Our standard versions are made from Polyamide 6 or Polyamide 12 with 20–50% glass fiber content. The o-rings are made of >FPM< and >FVMQ< as standard equipment. All our available nominal sizes are validated according SAEJ2044.

Enquiries/ordering

When making enquiries or placing orders please state as follows:

		Example
1.	Quickconnector Type	NQS
2.	"Nominal size (o-ring sealing diameter of spigot)"	"5/16" "(7.89 mm)"
3.	Version 0°, 45° or 90°	0°
4.	Application	Fuel
5.	"Inner diameter assembled PA-tube or hose"	PA-tube ID=06mm
6.	OEM / end customer	tbd
7.	Annual volume	100,000 pieces / year
8.	SOP	CW 34/2014