

## NORMACONNECT® – Pipe Connections

### NORMACONNECT® V PP Profile clamps

The V PP profile clamps are reliable and time-effective connection elements.

#### Short description of technical features



- ❶ Integral clamping device
- ❷ Closure
- ❸ Pressed profile

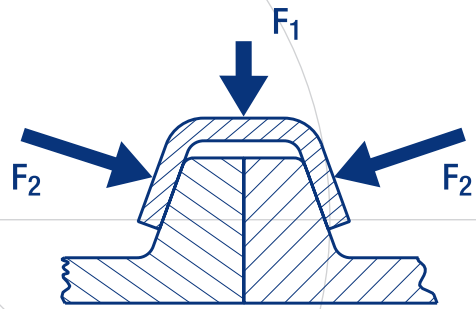
### NORMACONNECT® V PP Profile clamp without cover band

# NORMACONNECT® – Pipe Connections

## Product function

The profile clamp works with the principle of the inclined plane: when the closure is tightened, a circumferential force  $F_1$  is exerted on the profile segments. By means of the profile, the two flange parts are tightly joined.

The exerted circumferential force is converted into a considerably higher axial force  $F_2$ .



NORMACONNECT®  
Pipe Connections

## Typical applications

NORMACONNECT®V profile clamps are quick assembly connecting devices for flanges which offer an economical alternative to conventional bolted flange joints.

## Examples for applications

- Exhaust gas systems
- Exhaust gas recirculation (EGR)
- Charged air applications
- Cooling systems
- Filter systems



Exhaust gas recirculation

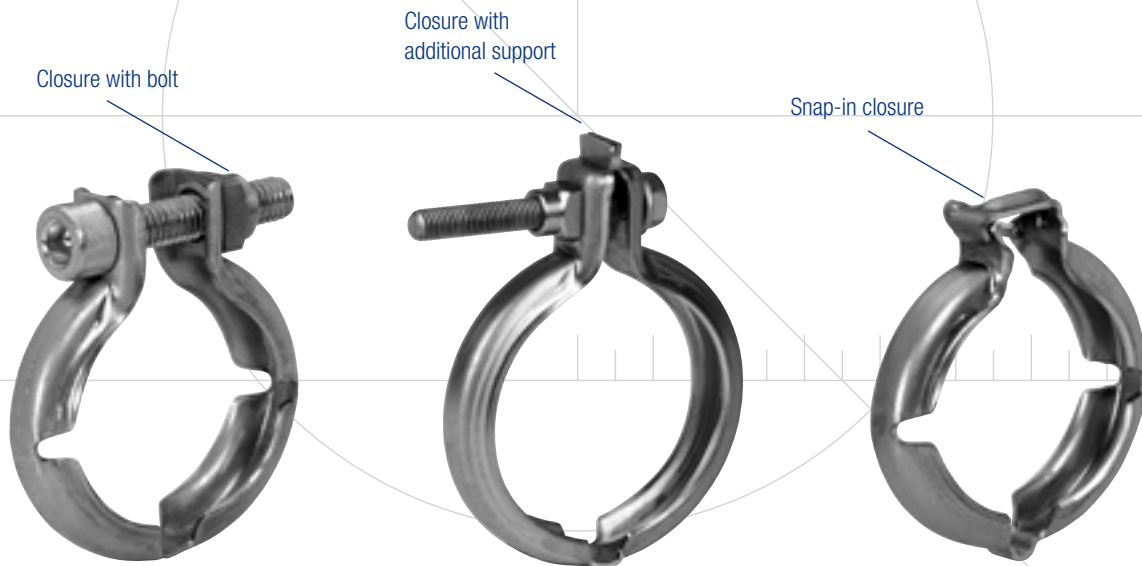


Exhaust gas recirculation

# NORMACONNECT® – Pipe Connections

## Technical features

NORMACONNECT®  
Pipe Connections



## NORMACONNECT® V PP Profile clamp without cover band

- Material 1.4301  
(other materials on demand)
  - Internal profile diameters available:\*
- |                   |                |
|-------------------|----------------|
| Closure with bolt | 20 mm – 180 mm |
| Snap-in closure   | 20 mm – 45 mm  |

\* depending on the closure design and the type of profile

**Profile clamps offered in this brochure are designed to function strictly at the operating conditions specified by the customer.**

Please note that these clamps are exclusively made to order.